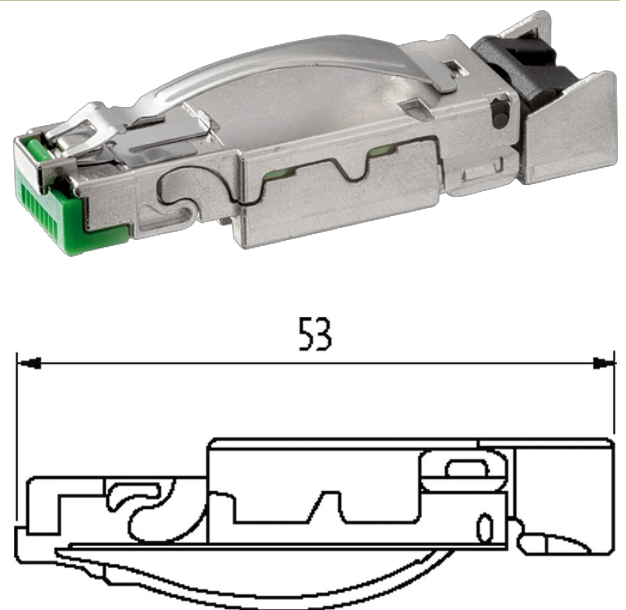


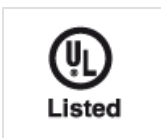
RJ45 Heavy Duty male 0° 8pol. Ethernet

Ethernet
Male straight
RJ45, 8-pole
Field-wireable
shielded
Protection IP20

The resistance to aggressive media should be individually tested for your application. Further details on request.

[Link to Product](#)**Illustration**

Product may differ from Image

Approvals**More Info****Form**

Form 74075

General data

Material (contact carrier)	PC
Material (contact)	Copper alloy
Material (contact surface)	Au
Temperature range	-40...+70 °C

Technical Data

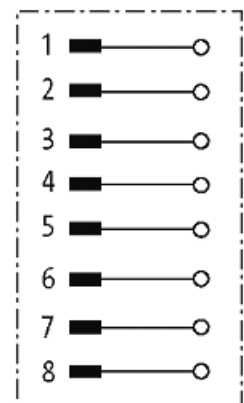
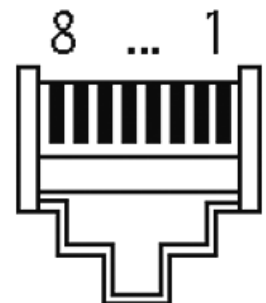
Operating voltage	50 V
Operating current	max. 1.75 A
No. of poles	8
Transfer parameters	CAT5e (ANSI/TIA/EIA-568-B.2-2001), CAT5 Class D nach ISO/IEC 11801
Transfer rate	1 Gbit/s
Frequency	max. 100 MHz
Connection cross section	0.14...0.25 mm ² (AWG 24...26)
Sealing range (cable Ø)	5...9 mm
Connection	Quick connection technology
Protection	IP20
Material	Zinc die casting
Over voltage category	1
Mating cycles	min. 750

Commercial data

country of origin	PL
customs tariff number	85366990
EAN	4048879671071
eClass	27260705
Packaging unit	1

Sketch

Male



Product may differ from Image